



VOLUTA

Voluta is a classic stove, rectangular in shape, that can be inserted in any environment. It is inspired by periods of great decorative impact, such as Liberty or Decò.

It is equipped with a 'Gran Fuoco' door and a large combustion chamber for greater performance and autonomy.

It can be equipped with a CARTER FOR EXTERNAL AIR INTAKE. It is available in the THERMO-STOVE VERSION in the size 2.

MODELS AND SIZES

CLASSICHE WOOD



1



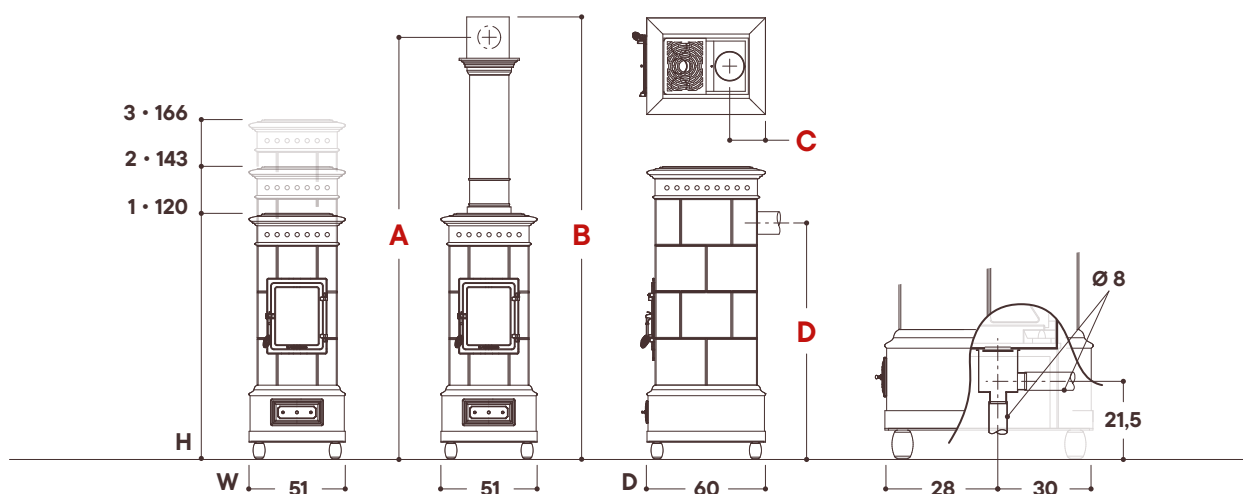
2



3

INSTALLATION

Measurements in **cm**



CLASSICHE WOOD

SIZE

			1	2	3
With Ceramic Column h 90 cm	A	cm	233	256	280
	B	cm	245	268	292
With Ceramic Column h 80 cm	A	cm	222	246	269
	B	cm	234	258	281
	C	cm	20	20	20
	D	cm	NO	116	139

CLEARANCES FROM FLAMMABLE MATERIALS

Side: 40 cm

Rear: 20 cm

Front (combustion chamber door): 150 cm

INSTALLATION NOTES

- » The installations must be made in accordance with UNI 10683 (in Italy) or according to the regulations in force in the country where the stove is installed.
- » In the case of a rear smoke outlet with exposed pipe and flammable material near the stove, it is essential to use a double-walled pipe at least 10 cm away from all flammables.

CERTIFICATIONS

CE UNI EN-16510



15a B-VG

BlmSchV 2

TECHNICAL DATA

SIZE		1	2	3
Heat Output *	kW	7,5	7,5	10,5
Min-Max Heat Output	kW	4 - 9	4 - 9	5 - 12
Heating Capacity	m ³	100 - 260	100 - 260	140 - 340
Efficiency	%	81	81	82
Carbon Monoxide Emission · % Co 13% O ₂	%	0,1	0,1	0,17
Dust · 13% O ₂	mg/Nm ³	24	24	-
Wood Consumption	Kg/h	2,2	2,2	3
Smoke Temperature	°C	204	204	196
Flue Pipe Diameter	cm	15	15	15
Draft	Pa	11	11	11
Total Weight	Kg	300	330	360
Ceramic Column Weight	Kg	25	25	25
Measurements (w x d x h)	cm	51 x 60 x 120	51 x 60 x 143	51 x 60 x 166
Energy Efficiency		A +	A +	A +

* Complies UNI EN-16510, DEUTSCHLAND BImSchV 2

TECHNICAL DATA WITH CATALYTIC FILTER

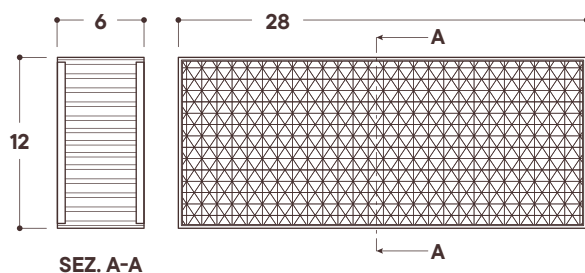
SIZE		1	2	3
Heat Output *	kW	6,5	7	7,5
Efficiency	%	88,5	88	88
Carbon Monoxide Emission · % Co 13% O ₂	%	0,0281	0,0281	0,0265
Dust · 13% O ₂	mg/Nm ³	10	10	9,4
Wood Consumption	Kg/h	1,805	1,903	2,024
Smoke Temperature	°C	178,1	171,1	164,1
Flue Pipe Diameter	cm	15	15	15
Draft	Pa	10	10	10
Total Weight	Kg	300	330	360
Ceramic Column Weight	Kg	25	25	25
Measurements (w x d x h)	cm	51 x 60 x 120	51 x 60 x 143	51 x 60 x 166
Energy Efficiency		A +	A +	A +

* Complies UNI EN-16510, DEUTSCHLAND BImSchV 2

The stove can have higher performances, in terms of kW, up to a maximum heatable volume of 340 m³, in the largest size, with medium insulation.

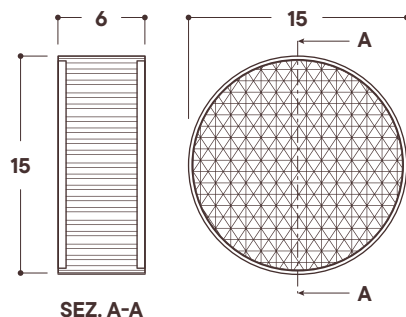
FILTER DATA SHEET

Measurements in **cm**



CODE: CAT 27/12-6

Description: catalytic converter
 Shape: parallelepiped
 Measurements (w x d x h): 28 x 12 x 6 cm
 Material: refractory steel with impregnation
 Operating temperature: -20 °C / + 800 °C
 Melting temperature: 1400 °C



CODE: CAT 15/60

Description: catalytic converter
 Shape: round
 Measurements (d x h): 15 x 6 cm
 Material: refractory steel with impregnation
 Operating temperature: -20 °C / + 800 °C
 Melting temperature: 1400 °C

CLASSICHE WOOD

CATALYTIC FILTER POSITION

Measurements in **cm**

