



VIENNA

Vienna is the flagship of our production.

Suitable for large spaces, linear, square in shape, it fits harmoniously into any type of environment.

It is available in four sizes with a 'Gran Fuoco' door and with two ceramic surface options: with a rich ornament or smooth.

It can be equipped with a CARTER FOR EXTERNAL AIR INTAKE.

MODELS AND SIZES

With friezes



1

2

3

4

Smooth



1

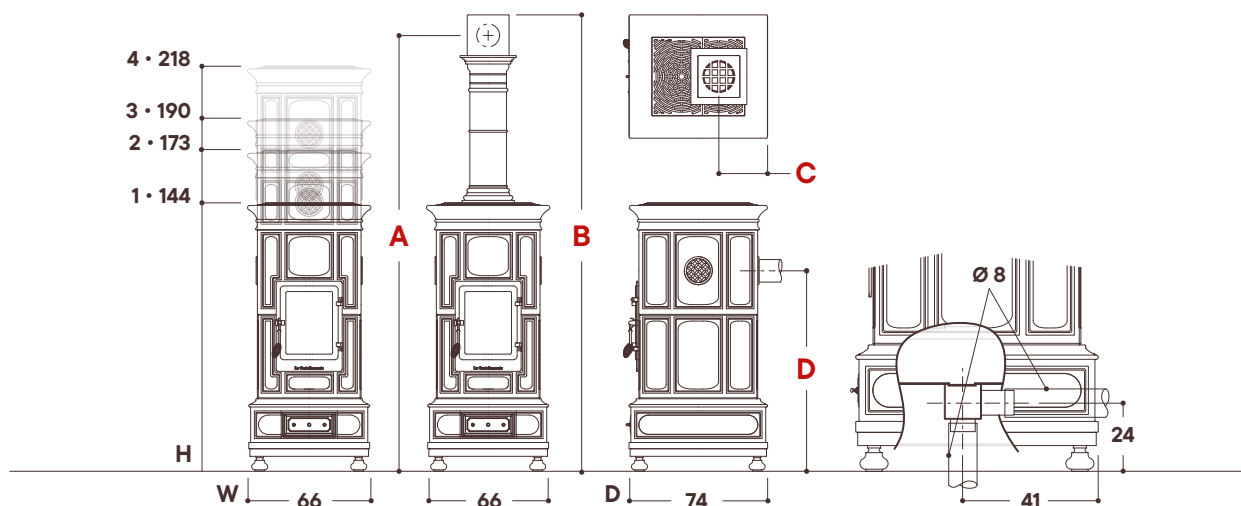
2

3

4

INSTALLATION

Measurements in **cm**



SIZE			1	2	3	4
With Ceramic Column h 90 cm	A	cm	258	285	303	331
	B	cm	270	297	315	343
With Ceramic Column h 80 cm	A	cm	246	275	293	320
	B	cm	257	286	304	332
	C	cm	24	24	24	24
	D	cm	121	144	153	181

CLEARANCES FROM FLAMMABLE MATERIALS

Side: 20 cm
Rear: 20 cm
Front (combustion chamber door): 100 cm

INSTALLATION NOTES

- » The installations must be made in accordance with UNI 10683 (in Italy) or according to the regulations in force in the country where the stove is installed.
- » In the case of a rear smoke outlet with exposed pipe and flammable material near the stove, it is essential to use a double-walled pipe at least 10 cm away from all flammables.

CERTIFICATIONS

CE UNI EN-16510



15a B-VG

BlmSchV 2

TECHNICAL DATA

SIZE		1	2	3	4
Heat Output *	kW	11	12	13	13
Min-Max Heat Output	kW	5 - 12	6 - 13	6 - 14	6 - 14
Heating Capacity	m ³	140 - 320	170 - 370	170 - 400	170 - 400
Efficiency	%	84	85	85	85
Carbon Monoxide Emission · % Co 13% O ₂	%	0,06	0,07	0,08	0,08
Dust · 13% O ₂	mg/Nm ³	14	18	21	21
Wood Consumption	Kg/h	2,7	3	3,2	3,2
Smoke Temperature	°C	250	253	255	255
Flue Pipe Diameter	cm	15	15	15	15
Draft	Pa	12	12	12	12
Total Weight	Kg	410	440	470	530
Ceramic Column Weight	Kg	25	25	25	25
Measurements (w x d x h)	cm	66 x 74 x 144	66 x 74 x 173	66 x 74 x 190	66 x 74 x 218
Energy Efficiency		A +	A +	A +	A +

* Complies UNI EN-16510, DEUTSCHLAND BImSchV 2

TECHNICAL DATA WITH CATALYTIC FILTER

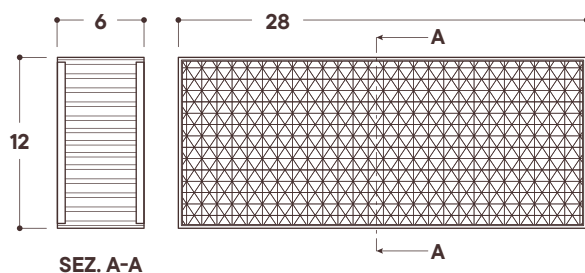
SIZE		1	2	3	4
Heat Output *	kW	8,3	8,66	9	9,19
Efficiency	%	87,7	90,8	89,7	89,7
Carbon Monoxide Emission · % Co 13% O ₂	%	0,0219	0,0219	0,0241	0,0241
Dust · 13% O ₂	mg/Nm ³	9,8	8,3	10	10
Wood Consumption	Kg/h	2,2	2,24	2,3	2,409
Smoke Temperature	°C	185	148	148	148
Flue Pipe Diameter	cm	15	15	15	15
Draft	Pa	11	12	10	10
Total Weight	Kg	410	440	470	530
Ceramic Column Weight	Kg	25	25	25	25
Measurements (w x d x h)	cm	66 x 74 x 144	66 x 74 x 173	66 x 74 x 190	66 x 74 x 218
Energy Efficiency		A +	A +	A +	A +

* Complies UNI EN-16510, DEUTSCHLAND BImSchV 2

The stove can have higher performances, in terms of kW, up to a maximum heatable volume of 400 m³, in the largest size, with medium insulation.

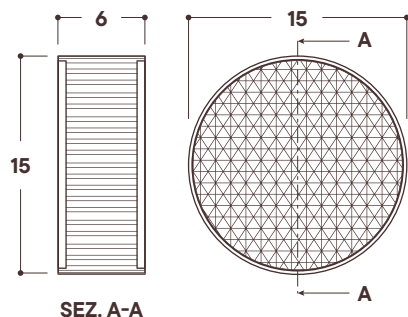
FILTER DATA SHEET

Measurements in **cm**



CODE: CAT 27/12-6

Description: catalytic converter
 Shape: parallelepiped
 Measurements (w x d x h): 28 x 12 x 6 cm
 Material: refractory steel with impregnation
 Operating temperature: - 20 °C / + 800 °C
 Melting temperature: 1400 °C



CODE: CAT 15/60

Description: catalytic converter
 Shape: round
 Measurements (d x h): 15 x 6 cm
 Material: refractory steel with impregnation
 Operating temperature: -20 °C / + 800 °C
 Melting temperature: 1400 °C

CLASSICHE WOOD

CATALYTIC FILTER POSITION

Measurements in **cm**

