



ROUNDSTACK LONG

Our round model, in a modern line, suitable for all environments. Equipped with a 'Gran Fuoco' door and ceramic base protruding on the front.

Available in 2 sizes.

It can be equipped with a CARTER FOR EXTERNAL AIR INTAKE.

MODELS AND SIZES

STACK



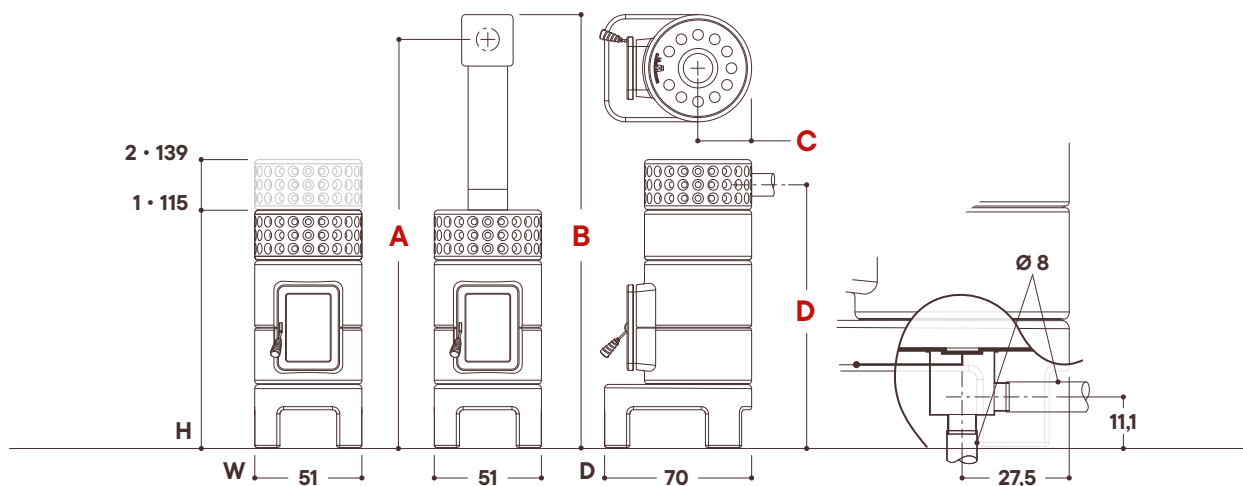
1



2

INSTALLATION

Measurements in **cm**



SIZE

			1	2
With Ceramic Column h 90 cm	A	cm	218	242
	B	cm	231	255
	C	cm	26	26
	D	cm	NO	126

CLEARANCES FROM FLAMMABLE MATERIALS

Side: 30 cm

Rear: 20 cm

Front (combustion chamber door): 150 cm

INSTALLATION NOTES

- » The installations must be made in accordance with UNI 10683 (in Italy) or according to the regulations in force in the country where the stove is installed.
- » In the case of a rear smoke outlet with exposed pipe and flammable material near the stove, it is essential to use a double-walled pipe at least 10 cm away from all flammables.

TECHNICAL DATA

SIZE

		1	2
Heat Output *	kW	6,5	7,5
Min-Max Heat Output	kW	4 - 8	4 - 9
Heating Capacity	m ³	100 - 230	100 - 260
Efficiency	%	84	80,5
Carbon Monoxide Emission · % Co 13% O ₂	%	0,09	0,07
Dust · 13% O ₂	mg/Nm ³	11	6
Wood Consumption	Kg/h	1,9	2,2
Smoke Temperature	°C	201	213
Flue Pipe Diameter	cm	15	15
Draft	Pa	12	12
Total Weight	Kg	230	260
Ceramic Column Weight	Kg	25	25
Measurements (w x d x h)	cm	51 x 70 x 115	51 x 70 x 139
Energy Efficiency		A +	A

* Complies UNI EN-16510, DEUTSCHLAND BImSchV 2

STACK

CERTIFICATIONS

CE UNI EN-16510

15a B-VG 

BImSchV 2 

