



# OTTAGONA

Its intriguing irregular shape, four large and four small tiles, and the neo-Gothic frieze make it both severe and precious. In the larger sizes it becomes a truly unique decorative element. It is produced in four sizes and with different combinations of smooth and frieze elements. Also available in a smooth ceramic version. It is equipped with a 'Gran Fuoco' door and a large combustion chamber.

It can be equipped with a CARTER FOR EXTERNAL AIR INTAKE. It is available in the THERMO-STOVE VERSION in the size 3.

# MODELS AND SIZES

With friezes

CLASSICHE WOOD



1



2



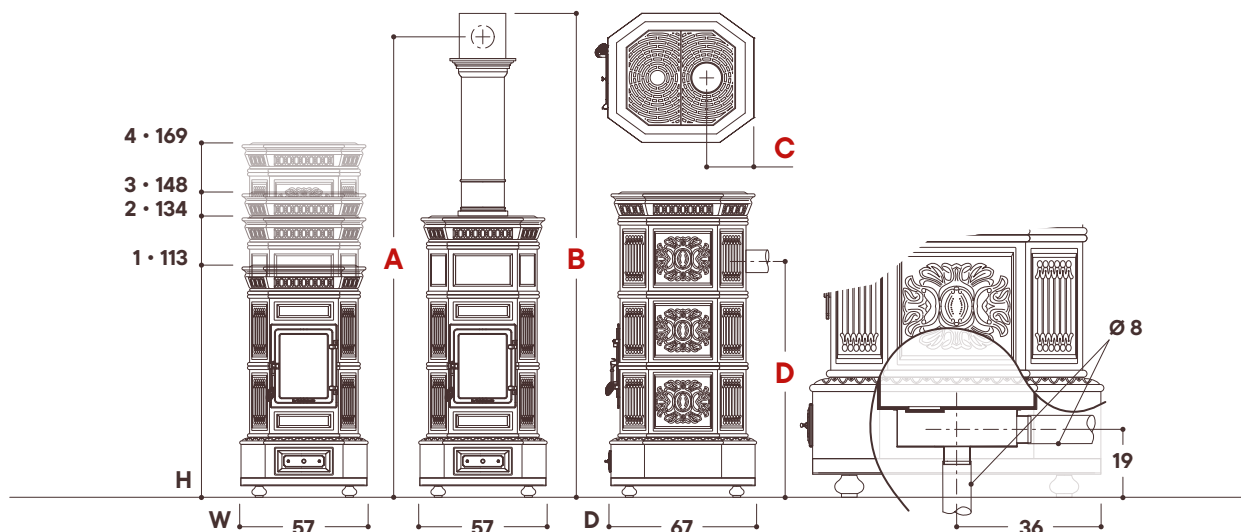
3



4

# INSTALLATION

Measurements in **cm**



CLASSICHE WOOD

SIZE			1	2	3	4
With Ceramic Column h 90 cm	A	cm	228	248	262	282
	B	cm	239	259	274	294
With Ceramic Column h 80 cm	A	cm	217	238	251	272
	B	cm	228	249	264	284
	C	cm	21	21	21	21
	D	cm	NO	NO	118	138

## CLEARANCES FROM FLAMMABLE MATERIALS

**Side:** 40 cm

**Rear:** 20 cm

**Front** (combustion chamber door): 150 cm

## INSTALLATION NOTES

- » The installations must be made in accordance with UNI 10683 (in Italy) or according to the regulations in force in the country where the stove is installed.
- » In the case of a rear smoke outlet with exposed pipe and flammable material near the stove, it is essential to use a double-walled pipe at least 10 cm away from all flammables.

## CERTIFICATIONS

CE UNI EN-16510



15a B-VG

BlmSchV 2

# TECHNICAL DATA

SIZE		1	2	3	4
Heat Output *	kW	7,5	7,5	10,5	10,5
Min-Max Heat Output	kW	4 - 9	4 - 9	5 - 12	5 - 12
Heating Capacity	m <sup>3</sup>	100 - 260	100 - 260	100 - 340	140 - 340
Efficiency	%	81	81	82	82
Carbon Monoxide Emission · % Co 13% O <sub>2</sub>	%	0,1	0,1	0,17	0,17
Dust · 13% O <sub>2</sub>	mg/Nm <sup>3</sup>	24	24	-	-
Wood Consumption	Kg/h	2,2	2,2	3	3
Smoke Temperature	°C	204	204	196	196
Flue Pipe Diameter	cm	15	15	15	15
Draft	Pa	11	11	11	11
Total Weight	Kg	315	330	360	370
Ceramic Column Weight	Kg	25	25	25	25
Measurements (w x d x h)	cm	57 x 67 x 113	57 x 67x 134	57 x 67 x 148	57 x 67 x 169
Energy Efficiency		A +	A +	A +	A +

\* Complies UNI EN-16510, DEUTSCHLAND BImSchV 2

# TECHNICAL DATA WITH CATALYTIC FILTER

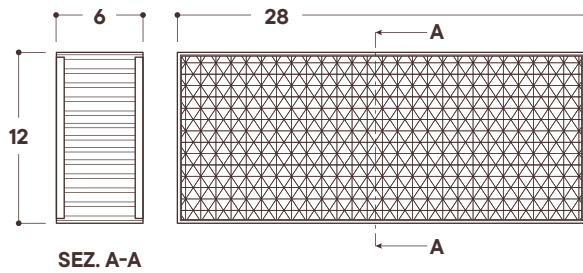
SIZE		1	2	3	4
Heat Output *	kW	6,5	7	7	7,5
Efficiency	%	88,5	88	88	88
Carbon Monoxide Emission · % Co 13% O <sub>2</sub>	%	0,0281	0,0281	0,0281	0,0265
Dust · 13% O <sub>2</sub>	mg/Nm <sup>3</sup>	10	10	10	9,4
Wood Consumption	Kg/h	1,805	1,903	1,903	2,024
Smoke Temperature	°C	178,1	171,1	171,1	164,1
Flue Pipe Diameter	cm	15	15	15	15
Draft	Pa	10	10	10	10
Total Weight	Kg	315	330	360	370
Ceramic Column Weight	Kg	25	25	25	25
Measurements (w x d x h)	cm	57 x 67 x 113	57 x 67x 134	57 x 67 x 148	57 x 67 x 169
Energy Efficiency		A +	A +	A +	A +

\* Complies UNI EN-16510, DEUTSCHLAND BImSchV 2

The stove can have higher performances, in terms of kW, up to a maximum heatable volume of 340 m<sup>3</sup>, in the largest size, with medium insulation.

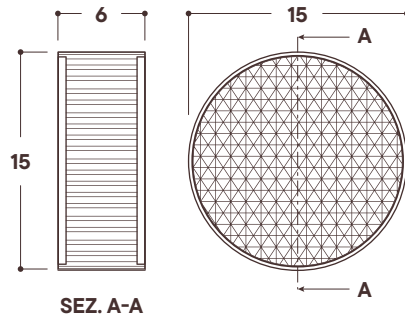
# FILTER DATA SHEET

Measurements in **cm**



## CODE: CAT 27/12-6

Description: catalytic converter  
 Shape: parallelepiped  
 Measurements (w x d x h): 28 x 12 x 6 cm  
 Material: refractory steel with impregnation  
 Operating temperature: - 20 °C / + 800 °C  
 Melting temperature: 1.400 °C



## CODE: CAT 15/60

Description: catalytic converter  
 Shape: round  
 Measurements (d x h): 15 x 6 cm  
 Material: refractory steel with impregnation  
 Operating temperature: -20 °C / + 800 °C  
 Melting temperature: 1.400 °C

CLASSICHE WOOD

# CATALYTIC FILTER POSITION

Measurements in **cm**

