



# MINISTACK

Smaller in size than RoundStack and CubiStack but with 6 kW of power, MiniStack is a flagship of our production.

Equipped with a 'Gran Fuoco' door and wooden base.

It can be equipped with a CARTER FOR EXTERNAL AIR INTAKE.

# MODELS AND SIZES

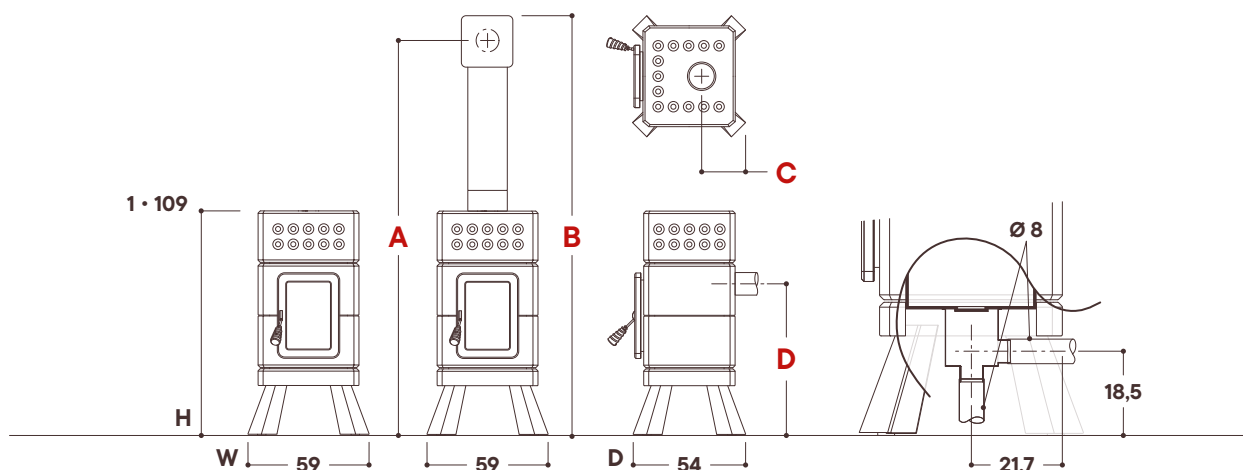


1

STACK

# INSTALLATION

Measurements in **cm**



## SIZE

1

With Ceramic Column h 90 cm	A	cm	212
	B	cm	224
	C	cm	16
	D	cm	83

## CLEARANCES FROM FLAMMABLE MATERIALS

**Side:** 20 cm

**Rear:** 20 cm

**Front** (combustion chamber door): 100 cm

## INSTALLATION NOTES

- » The installations must be made in accordance with UNI 10683 (in Italy) or according to the regulations in force in the country where the stove is installed.
- » In the case of a rear smoke outlet with exposed pipe and flammable material near the stove, it is essential to use a double-walled pipe at least 10 cm away from all flammables.

# TECHNICAL DATA

## SIZE

1

Heat Output *	kW	6
Min-Max Heat Output	kW	3 - 7
Heating Capacity	m <sup>3</sup>	85 - 200
Efficiency	%	77
Carbon Monoxide Emission · % Co 13% O <sub>2</sub>	%	0,06
Dust · 13% O <sub>2</sub>	mg/Nm <sup>3</sup>	30
Wood Consumption	Kg/h	1,8
Smoke Temperature	°C	250
Flue Pipe Diameter	cm	15
Draft	Pa	11
Total Weight	Kg	170
Ceramic Column Weight	Kg	25
Measurements (w x d x h)	cm	59 x 54 x 109
Energy Efficiency		A

\* Complies UNI EN-16510, DEUTSCHLAND BImSchV 2

STACK

## CERTIFICATIONS

CE UNI EN-16510

15a B-VG 

BImSchV 2 

