



GRAND'OVALE

Grand'Ovale is a stove characterized by high yields, great autonomy and significant emission parameters, being equipped with a Gran Fuoco door and a large combustion chamber.

Recommended for medium-large environments.

It can be equipped with a CARTER FOR EXTERNAL AIR INTAKE.
It is available in the THERMO-STOVE VERSION in the size 2.

MODELS AND SIZES

CLASSICHE WOOD



Optional front ornaments
on smooth element



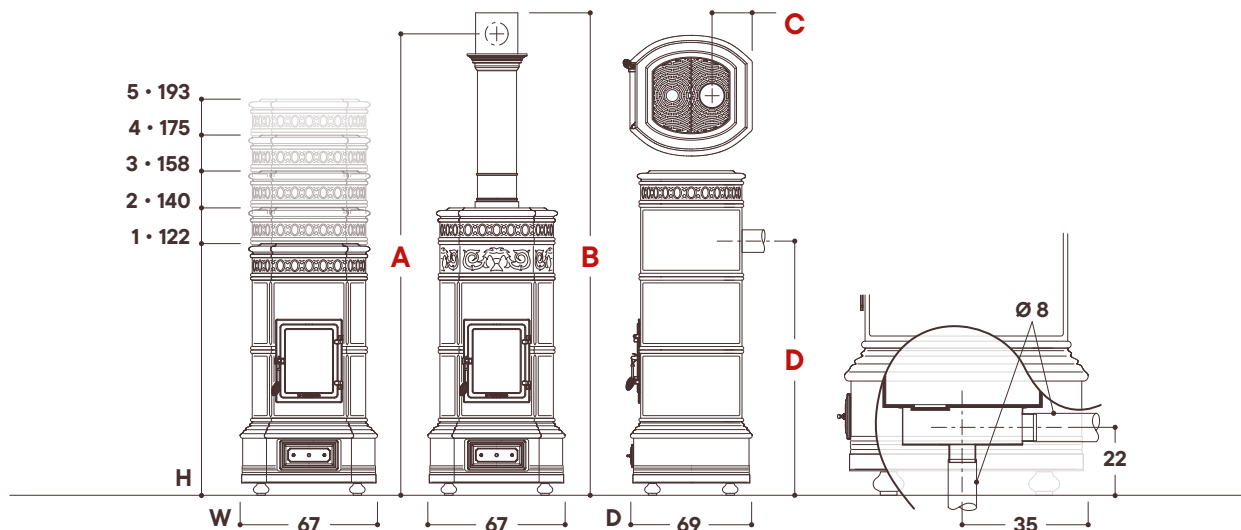
Goddess on a swing



Vase of flowers

INSTALLATION

Measurements in **cm**



CLASSICHE WOOD

SIZE			1	2	3	4	5
With Ceramic Column h 90 cm	A	cm	233	250	267	285	302
	B	cm	245	262	279	297	314
With Ceramic Column h 80 cm	A	cm	222	240	258	274	292
	B	cm	234	252	270	286	304
	C	cm	20	20	20	20	20
	D	cm	NO	NO	123	142	142

CLEARANCES FROM FLAMMABLE MATERIALS

Side: 20 cm
Rear: 20 cm
Front (combustion chamber door): 100 cm

INSTALLATION NOTES

- » The installations must be made in accordance with UNI 10683 (in Italy) or according to the regulations in force in the country where the stove is installed.
- » In the case of a rear smoke outlet with exposed pipe and flammable material near the stove, it is essential to use a double-walled pipe at least 10 cm away from all flammables.

CERTIFICATIONS

CE UNI EN-16510



15a B-VG

BlmSchV 2

TECHNICAL DATA

SIZE		1	2	3	4	5
Heat Output *	<i>kW</i>	10	11	12	13	13
Min-Max Heat Output	<i>kW</i>	5 - 11	5 - 12	6 - 13	6 - 14	7 - 15
Heating Capacity	<i>m³</i>	140 - 310	140 - 320	170 - 370	170 - 400	200 - 430
Efficiency	%	84	84	85	85	85
Carbon Monoxide Emission · % Co 13% O ₂	%	0,05	0,06	0,07	0,08	0,08
Dust · 13% O ₂	<i>mg/Nm³</i>	9	14	18	21	21
Wood Consumption	<i>Kg/h</i>	2,6	2,7	3	3,2	3,2
Smoke Temperature	<i>°C</i>	234	250	253	255	255
Flue Pipe Diameter	<i>cm</i>	15	15	15	15	15
Draft	<i>Pa</i>	12	12	12	12	12
Total Weight	<i>Kg</i>	345	380	410	430	450
Ceramic Column Weight	<i>Kg</i>	25	25	25	25	25
Measurements (w x d x h)	<i>cm</i>	67 x 69 x 122	67 x 69 x 140	67 x 69 x 158	67 x 69 x 175	67 x 69 x 193
Energy Efficiency		A +	A +	A +	A +	A +

* Complies UNI EN-16510, DEUTSCHLAND BImSchV 2

TECHNICAL DATA WITH CATALYTIC FILTER

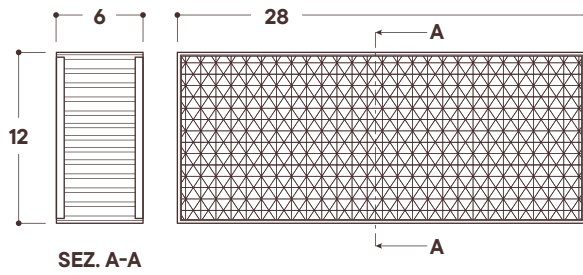
SIZE		1	2	3	4	5
Heat Output *	<i>kW</i>	7,88	8,3	8,66	9	9,19
Efficiency	%	87,7	87,7	90,8	89,7	89,7
Carbon Monoxide Emission · % Co 13% O ₂	%	0,0176	0,0219	0,0219	0,0241	0,0241
Dust · 13% O ₂	<i>mg/Nm³</i>	9,8	9,8	8,3	10	10
Wood Consumption	<i>Kg/h</i>	2,11	2,2	2,24	2,3	2,409
Smoke Temperature	<i>°C</i>	185	185	148	148	148
Flue Pipe Diameter	<i>cm</i>	15	15	15	15	15
Draft	<i>Pa</i>	11	11	12	10	10
Total Weight	<i>Kg</i>	345	380	410	430	450
Ceramic Column Weight	<i>Kg</i>	25	25	25	25	25
Measurements (w x d x h)	<i>cm</i>	67 x 69 x 122	67 x 69 x 140	67 x 69 x 158	67 x 69 x 175	67 x 69 x 193
Energy Efficiency		A +	A +	A +	A +	A +

* Complies UNI EN-16510, DEUTSCHLAND BImSchV 2

The stove can have higher performances, in terms of kW, up to a maximum heatable volume of 430 m³, in the largest size, with medium insulation.

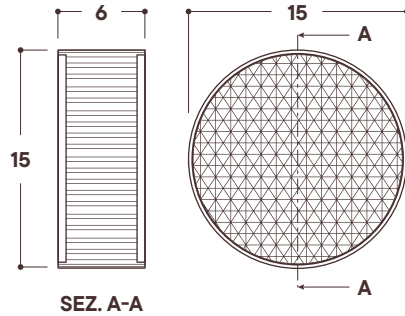
FILTER DATA SHEET

Measurements in **cm**



CODE: CAT 27/12-6

Description: catalytic converter
 Shape: parallelepiped
 Measurements (w x d x h): 28 x 12 x 6 cm
 Material: refractory steel with impregnation
 Operating temperature: - 20 °C / + 800 °C
 Melting temperature: 1400 °C



CODE: CAT 15/60

Description: catalytic converter
 Shape: round
 Measurements (d x h): 15 x 6 cm
 Material: refractory steel with impregnation
 Operating temperature: -20 °C / + 800 °C
 Melting temperature: 1400 °C

CLASSICHE WOOD

CATALYTIC FILTER POSITION

Measurements in **cm**

