



# CUBISTACK WOOD

The simple lines make it suitable for a modern environment.  
Equipped with a Gran Fuoco door and oak base.

Available in 2 sizes and also in thermo-stove version  
(ThermoStack).

It can be equipped with a CARTER FOR EXTERNAL AIR INTAKE.

# MODELS AND SIZES



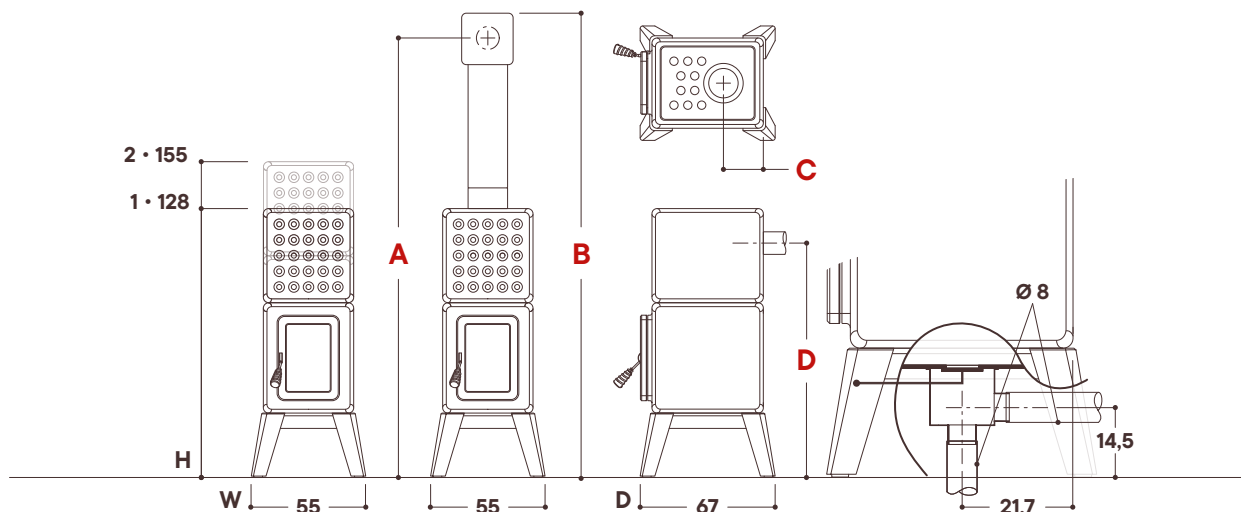
1

2

STACK

# INSTALLATION

Measurements in **cm**



## SIZE

			1	2
With Ceramic Column h 90 cm	A	cm	231	257
	B	cm	244	270
	C	cm	25	25
	D	cm	106	133

## CLEARANCES FROM FLAMMABLE MATERIALS

**Side:** 40 cm

**Rear:** 20 cm

**Front** (combustion chamber door): 150 cm

## INSTALLATION NOTES

- » The installations must be made in accordance with UNI 10683 (in Italy) or according to the regulations in force in the country where the stove is installed.
- » In the case of a rear smoke outlet with exposed pipe and flammable material near the stove, it is essential to use a double-walled pipe at least 10 cm away from all flammables.

## CERTIFICATIONS

**CE** UNI EN-16510

15a B-VG

BlmSchV 2



# TECHNICAL DATA

## SIZE

1

Heat Output *	kW	7,5
Min-Max Heat Output	kW	4 - 9
Heating Capacity	m <sup>3</sup>	100 - 260
Efficiency	%	81
Carbon Monoxide Emission · % Co 13% O <sub>2</sub>	%	0,1
Dust · 13% O <sub>2</sub>	mg/Nm <sup>3</sup>	24
Wood Consumption	Kg/h	2,2
Smoke Temperature	°C	204
Flue Pipe Diameter	cm	15
Draft	Pa	12
Total Weight	Kg	300
Ceramic Column Weight	Kg	25
Measurements (w x d x h)	cm	55 x 67 x 128
Energy Efficiency		A +

\* Complies UNI EN-16510, DEUTSCHLAND BImSchV 2

STACK

# TECHNICAL DATA WITH CATALYTIC FILTER

## SIZE

1

2

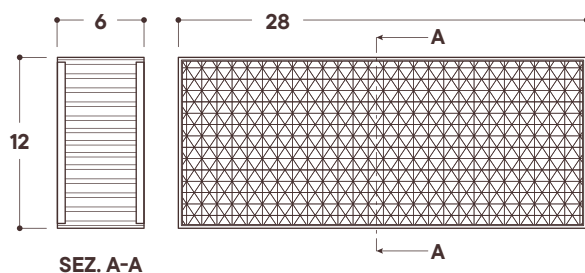
Heat Output *	kW	7	7,5
Efficiency	%	88	88
Carbon Monoxide Emission · % Co 13% O <sub>2</sub>	%	0,0281	0,0265
Dust · 13% O <sub>2</sub>	mg/Nm <sup>3</sup>	10	9,4
Wood Consumption	Kg/h	1,903	2,024
Smoke Temperature	°C	171,1	164,1
Flue Pipe Diameter	cm	15	15
Draft	Pa	10	10
Total Weight	Kg	300	350
Ceramic Column Weight	Kg	25	25
Measurements (w x d x h)	cm	55 x 67 x 128	55 x 67 x 155
Energy Efficiency		A +	A +

\* Complies UNI EN-16510, DEUTSCHLAND BImSchV 2

The stove can have higher performances, in terms of kW, up to a maximum heatable volume of 340 m<sup>3</sup>, in the largest size, with medium insulation.

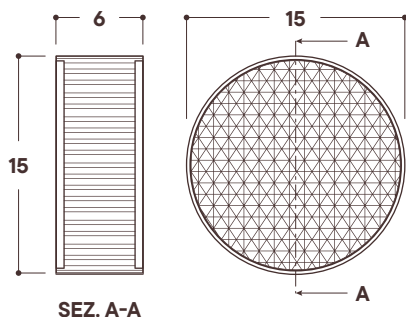
# FILTER DATA SHEET

Measurements in **cm**



## CODE: CAT 27/12-6

Description: catalytic converter  
 Shape: parallelepiped  
 Measurements (w x d x h): 28 x 12 x 6 cm  
 Material: refractory steel with impregnation  
 Operating temperature: -20 °C / + 800 °C  
 Melting temperature: 1400 °C

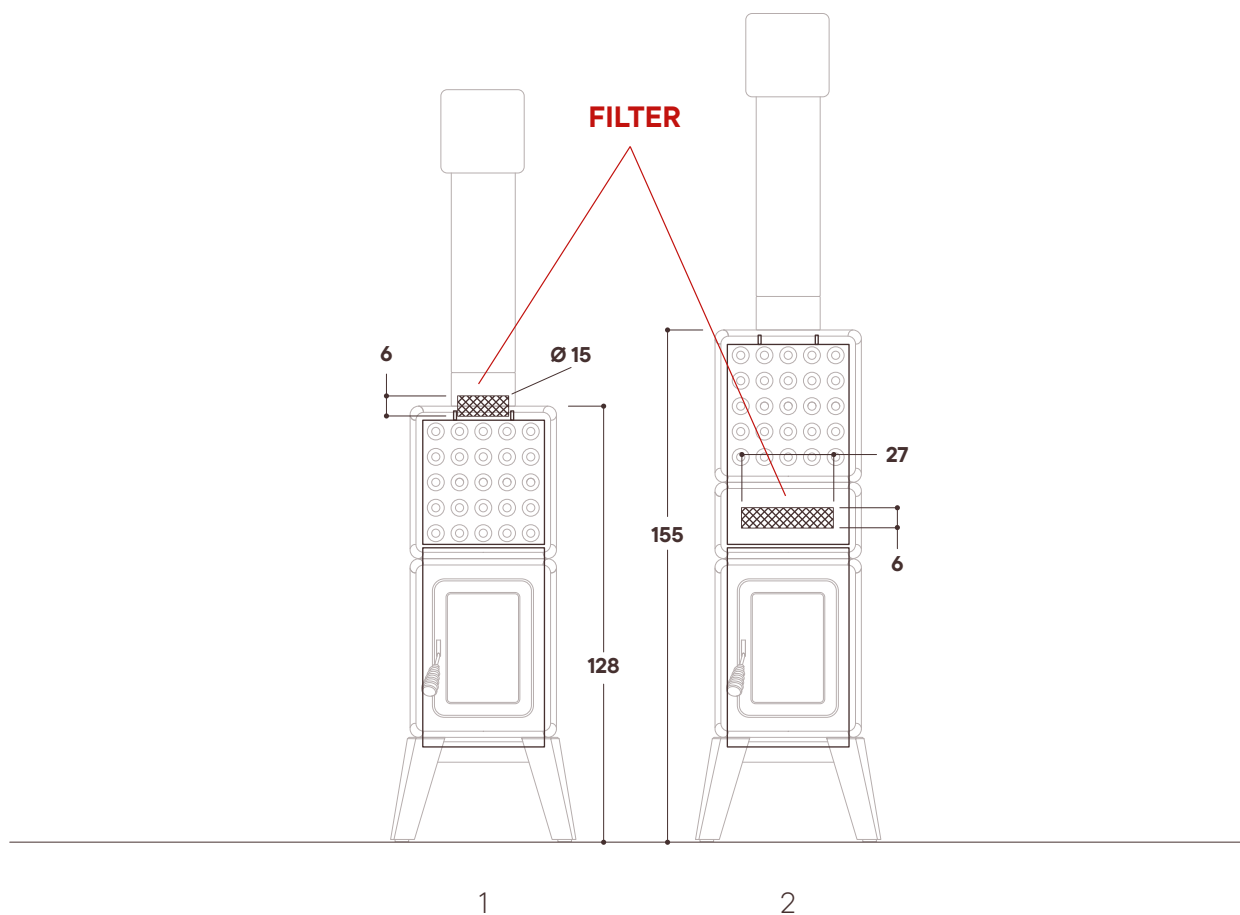


## CODE: CAT 15/60

Description: catalytic converter  
 Shape: round  
 Measurements (d x h): 15 x 6 cm  
 Material: refractory steel with impregnation  
 Operating temperature: -20 °C / + 800 °C  
 Melting temperature: 1400 °C

# CATALYTIC FILTER POSITION

Measurements in **cm**



STACK