



COOKINSTACK

From the tradition of Piedmontese wood-fired cooking comes CookinStack, a small “putagé” with a 4.5 kW heart.

Equipped with a ‘Gran Fuoco’ door, wooden base and cast iron cooking plate.

It can be equipped with a CARTER FOR EXTERNAL AIR INTAKE.

MODELS AND SIZES

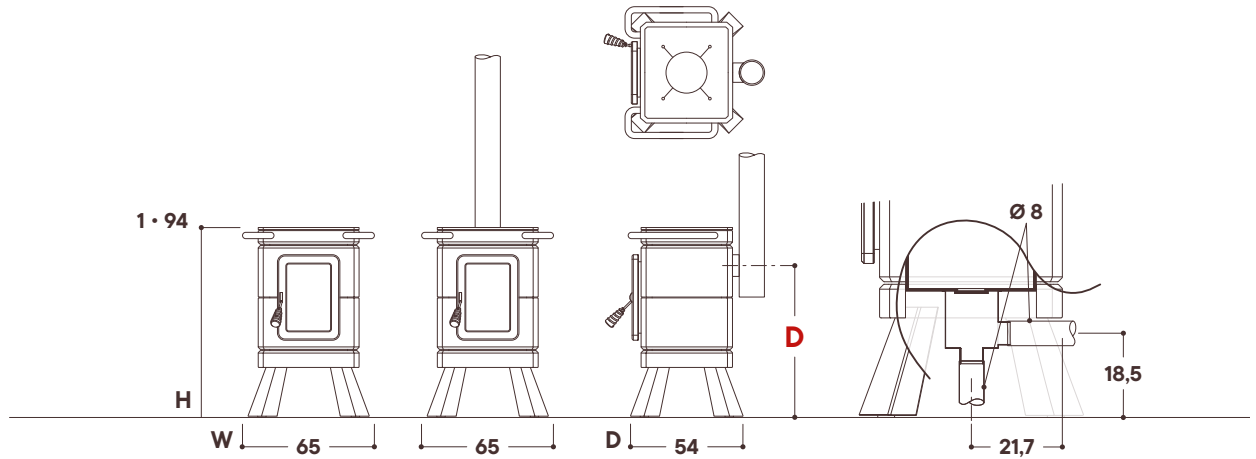


1

STACK

INSTALLATION

Measurements in **cm**



SIZE

1

D	cm	83
---	----	----

STACK

CLEARANCES FROM FLAMMABLE MATERIALS

Side: 40 cm

Rear: 20 cm

Front (combustion chamber door): 100 cm

INSTALLATION NOTES

- » The installations must be made in accordance with UNI 10683 (in Italy) or according to the regulations in force in the country where the stove is installed.
- » In the case of a rear smoke outlet with exposed pipe and flammable material near the stove, it is essential to use a double-walled pipe at least 10 cm away from all flammables.

TECHNICAL DATA

SIZE

1

Heat Output *	kW	5,5
Min-Max Heat Output	kW	3 - 6
Heating Capacity	m ³	90 - 180
Efficiency	%	82,5
Carbon Monoxide Emission · % Co 13% O ₂	%	0,09
Dust · 13% O ₂	mg/Nm ³	21
Wood Consumption	Kg/h	1,6
Smoke Temperature	°C	202
Flue Pipe Diameter	cm	12
Draft	Pa	11
Total Weight	Kg	151
Measurements (w x d x h)	cm	65 x 54 x 94
Energy Efficiency		A +

* Complies UNI EN-16510, DEUTSCHLAND BImSchV 2

CERTIFICATIONS

CE UNI EN-16510

15a B-VG 

BImSchV 2 