



# AMABILE

Amabile is a classic stove, rectangular in shape, that can be inserted in any environment. It is inspired by periods of great decorative impact, such as Liberty or Decò.

It is equipped with a 'Gran Fuoco' door and a large combustion chamber for greater performance and autonomy.

It can be equipped with a CARTER FOR EXTERNAL AIR INTAKE.

# MODELS AND SIZES

CLASSICHE WOOD



1



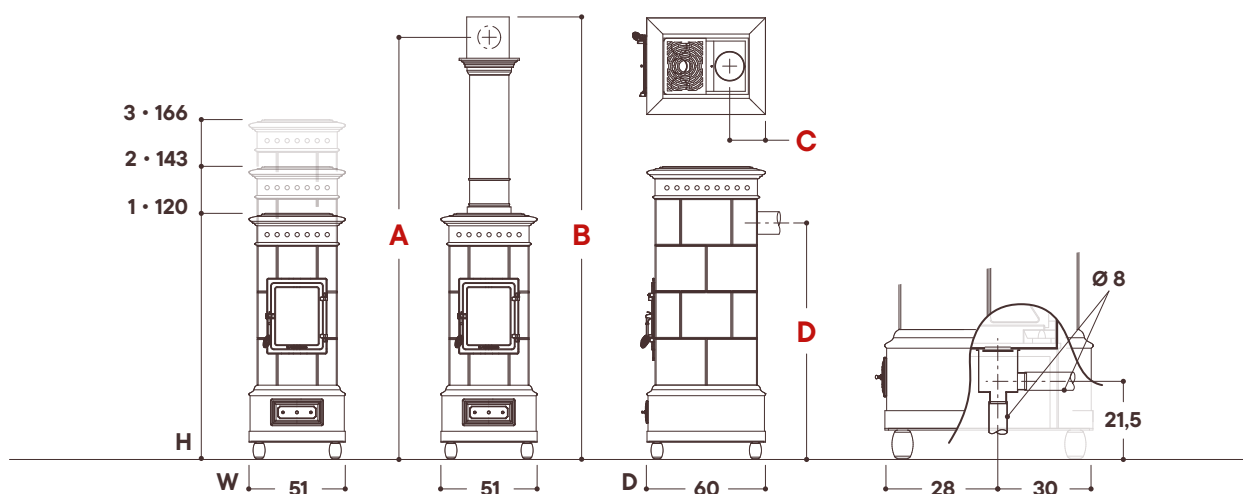
2



3

# INSTALLATION

Measurements in **cm**



CLASSICHE WOOD

## SIZE

|                             |   |    | 1   | 2   | 3   |
|-----------------------------|---|----|-----|-----|-----|
| With Ceramic Column h 90 cm | A | cm | 233 | 256 | 280 |
|                             | B | cm | 245 | 268 | 292 |
| With Ceramic Column h 80 cm | A | cm | 222 | 246 | 269 |
|                             | B | cm | 234 | 258 | 281 |
|                             | C | cm | 20  | 20  | 20  |
|                             | D | cm | NO  | 116 | 139 |

## CLEARANCES FROM FLAMMABLE MATERIALS

**Side:** 40 cm

**Rear:** 20 cm

**Front** (combustion chamber door): 150 cm

## INSTALLATION NOTES

- » The installations must be made in accordance with UNI 10683 (in Italy) or according to the regulations in force in the country where the stove is installed.
- » In the case of a rear smoke outlet with exposed pipe and flammable material near the stove, it is essential to use a double-walled pipe at least 10 cm away from all flammables.

## CERTIFICATIONS

CE UNI EN-16510



15a B-VG

BlmSchV 2

# TECHNICAL DATA

| SIZE   |               | 1             | 2             | 3             |
|--|---------------|---------------|---------------|---------------|
| Heat Output *                                      | <i>kW</i>     | 7,5           | 9             | 10,5          |
| Min-Max Heat Output                                | <i>kW</i>     | 4 - 9         | 4 - 10        | 5 - 12        |
| Heating Capacity                                   | <i>m³</i>     | 100 - 260     | 100 - 280     | 140 - 340     |
| Efficiency   | %             | 81            | 79            | 82            |
| Carbon Monoxide Emission · % Co 13% O <sub>2</sub> | %             | 0,1           | 0,09          | 0,17          |
| Dust · 13% O <sub>2</sub>                          | <i>mg/Nm³</i> | -             | -             | -             |
| Wood Consumption                                   | <i>Kg/h</i>   | 2,2           | 2,7           | 3             |
| Smoke Temperature                                  | °C            | 204           | 224           | 196           |
| Flue Pipe Diameter                                 | <i>cm</i>     | 15            | 15            | 15            |
| Draft  | <i>Pa</i>     | 11            | 11            | 11            |
| Total Weight                                       | <i>Kg</i>     | 300           | 330           | 360           |
| Ceramic Column Weight                              | <i>Kg</i>     | 25            | 25            | 25            |
| Measurements (w x d x h)                           | <i>cm</i>     | 51 x 60 x 120 | 51 x 60 x 143 | 51 x 60 x 166 |
| Energy Efficiency                                  |               | A +           | A +           | A +           |

\* Complies UNI EN-16510, DEUTSCHLAND BImSchV 2

# TECHNICAL DATA WITH CATALYTIC FILTER

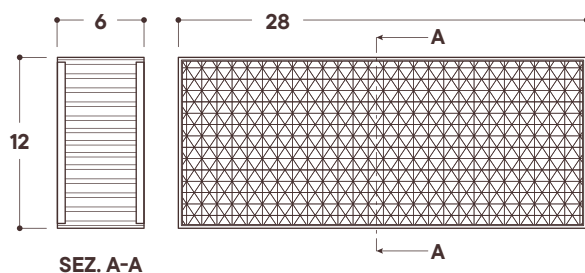
| SIZE   |               | 1             | 2             | 3             |
|--|---------------|---------------|---------------|---------------|
| Heat Output *                                      | <i>kW</i>     | 6,5           | 7             | 7,5           |
| Efficiency   | %             | 88,5          | 88            | 88            |
| Carbon Monoxide Emission · % Co 13% O <sub>2</sub> | %             | 0,0281        | 0,0281        | 0,0265        |
| Dust · 13% O <sub>2</sub>                          | <i>mg/Nm³</i> | 10            | 10            | 9,4           |
| Wood Consumption                                   | <i>Kg/h</i>   | 1,805         | 1,903         | 2,024         |
| Smoke Temperature                                  | °C            | 178,1         | 171,1         | 164,1         |
| Flue Pipe Diameter                                 | <i>cm</i>     | 15            | 15            | 15            |
| Draft  | <i>Pa</i>     | 10            | 10            | 10            |
| Total Weight                                       | <i>Kg</i>     | 300           | 330           | 360           |
| Ceramic Column Weight                              | <i>Kg</i>     | 25            | 25            | 25            |
| Measurements (w x d x h)                           | <i>cm</i>     | 51 x 60 x 120 | 51 x 60 x 143 | 51 x 60 x 166 |
| Energy Efficiency                                  |               | A +           | A +           | A +           |

\* Complies UNI EN-16510, DEUTSCHLAND BImSchV 2

The stove can have higher performances, in terms of kW, up to a maximum heatable volume of 340 m<sup>3</sup>, in the largest size, with medium insulation.

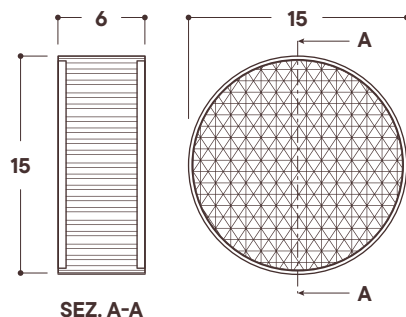
# FILTER DATA SHEET

Measurements in **cm**



## CODE: CAT 27/12-6

Description: catalytic converter  
 Shape: parallelepiped  
 Measurements (w x d x h): 28 x 12 x 6 cm  
 Material: refractory steel with impregnation  
 Operating temperature: -20 °C / + 800 °C  
 Melting temperature: 1.400 °C



## CODE: CAT 15/60

Description: catalytic converter  
 Shape: round  
 Measurements (d x h): 15 x 6 cm  
 Material: refractory steel with impregnation  
 Operating temperature: -20 °C / + 800 °C  
 Melting temperature: 1.400 °C

CLASSICHE WOOD

# CATALYTIC FILTER POSITION

Measurements in **cm**

